




LED MODULES

SA 3 LED(5050) RGB

Features

- Lighting source adopt SMD5050 LED Chip
- 7 Colour Available (R,G,B,Y,P,C,W) with RGB Controller
- Constant voltage & Reverse Protection Circuit
-  Compatible.
- 3M VHB double-sided tape adhesive.
- Low power consumption, high brightness, and long service life
- Approved CE, RoHS,UL,TUV, BIS, CB certified.
- 5 Years Warranty

Specification

Item Code	Power(W)	Current Dissipation(A)	Luminous Flux(lm)	Wave length
SA 4397	0.65W	0.054A	33 lm	R : 620-630 G : 520-530 B : 465-473

Technical Characteristics

Voltage	DC12V
Efficiency	22lm/W
IP Rating	IP65
Viewing Angle	160°
Colour	RGB
Lead Wire	20 AWG
LED Type	SMD 5050 LED

Certification



Temperature Ranges

Operating temperature	-25~60°C
Storage temperature	-25~70°C

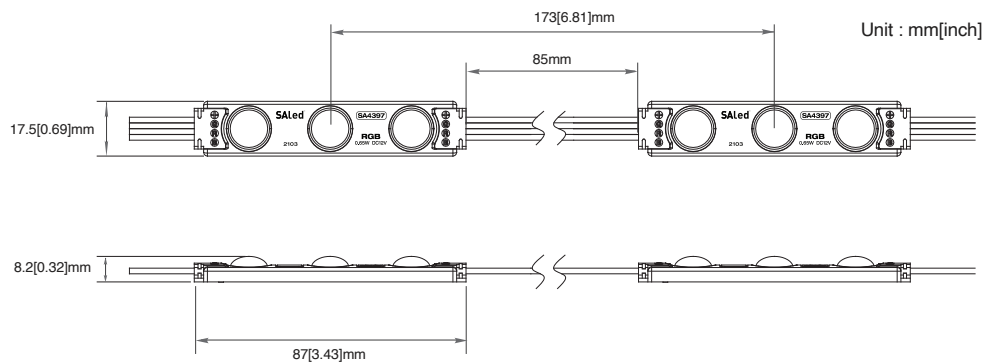
Warranty

Warranty	5 Years
----------	---------

Physical Characteristics

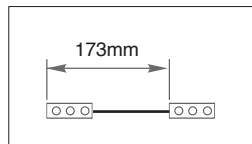
Dimensions(W*H*D)	87*17.5*8.4mm
Weight	15g

Profile Drawings

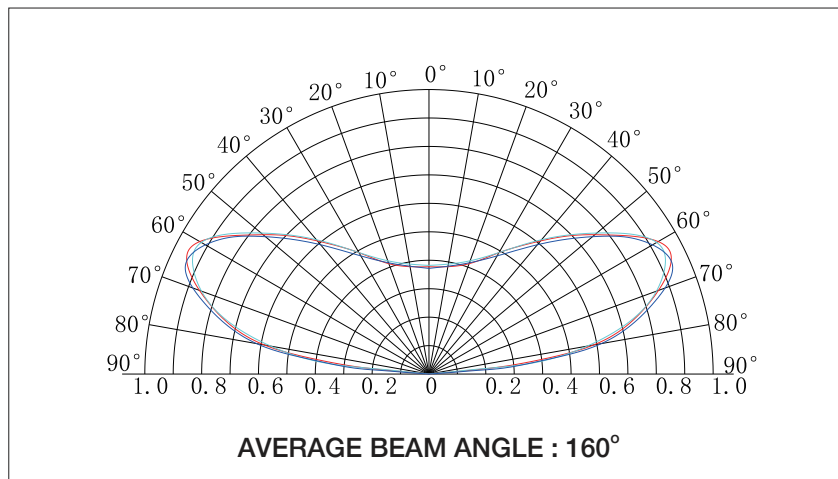


Module Layout Guides

3LED



Photometric characteristics



Max in series 50 EA

*Up-to 50 modules in a single series

